



Illustrated Parts List

Model Series

21M200

TYPE NUMBERS
0110 thru 1359.

TABLE OF CONTENTS

Alternator	8
Blower Housing/Shrouds	6
Camshaft	2
Carburetor	4
Controls	7
Crankcase Cover	2
Crankshaft	2
Cylinder	2
Cylinder Head	3
Electric Starter	8
Exhaust System	5
Flywheel	6
Fuel Supply	8
Gasket Set - Engine	3
Gasket Set - Valve	3
Governor Spring	7
Ignition	8
Kit - Carburetor Overhaul	4
Lubrication	2
Operator's Manual	2
Piston/Rings/Connecting Rod	2
Rewind Starter	6
Valves	3
Warning Label	2



PRINTED IN U.S.A.

COPYRIGHT by BRIGGS & STRATTON CORPORATION
All rights reserved. No part of this material may be reproduced or transmitted, in any form or by any means, electronic or mechanical, including photocopying, recording or by any information storage and retrieval system, without permission in writing from Briggs & Stratton Corporation.

21M200

1319 WARNING LABEL

WARNING

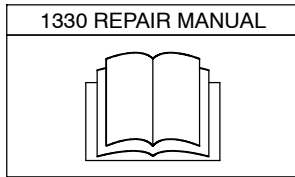
Read and follow Operating Instructions before running engine.

Gasoline is flammable. Allow engine to cool at least 2 minutes before refueling.

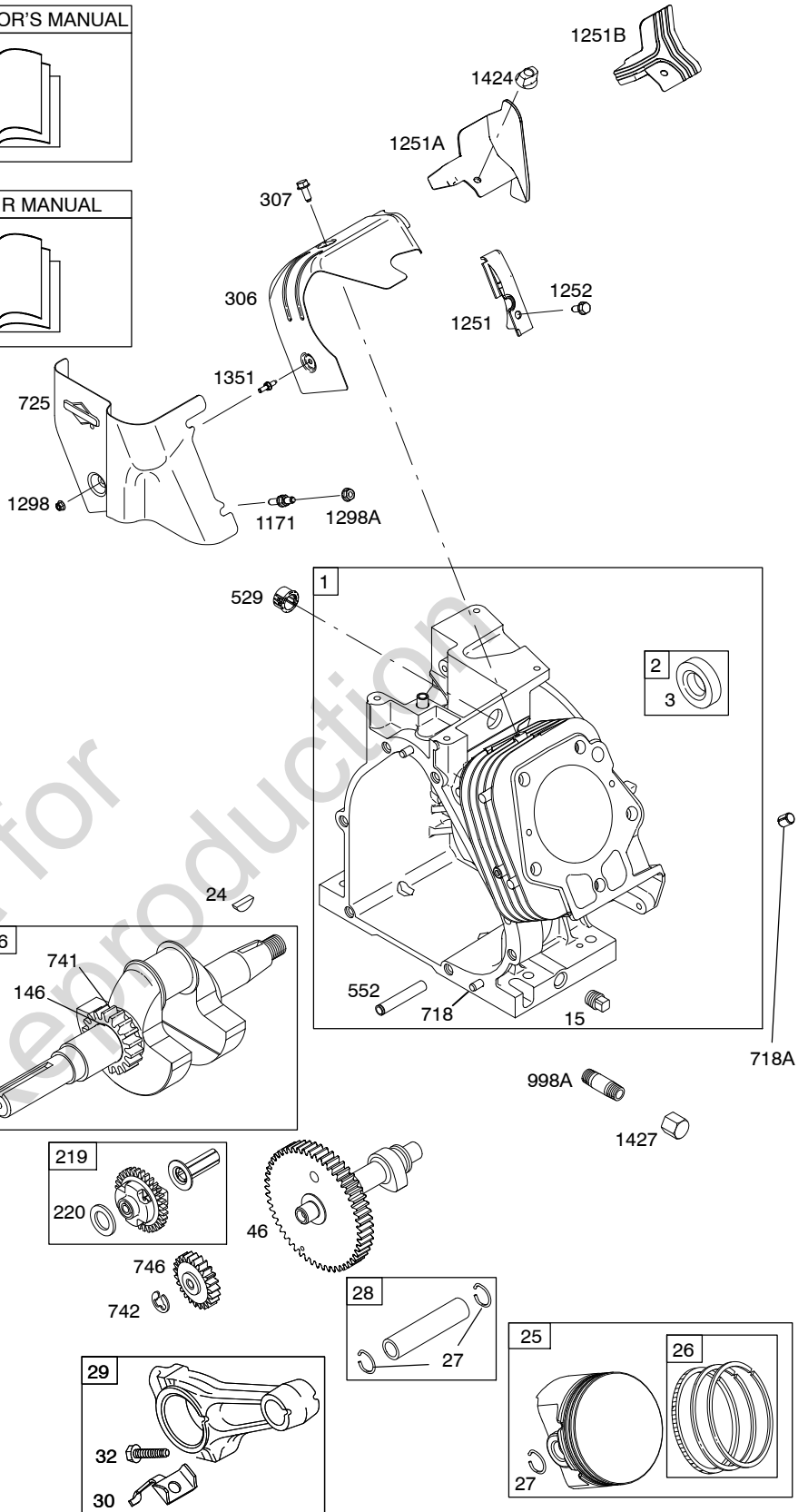
Engines emit carbon monoxide, DO NOT run in enclosed area.

Muffler area temperature may exceed 150°F. Do not touch hot parts.

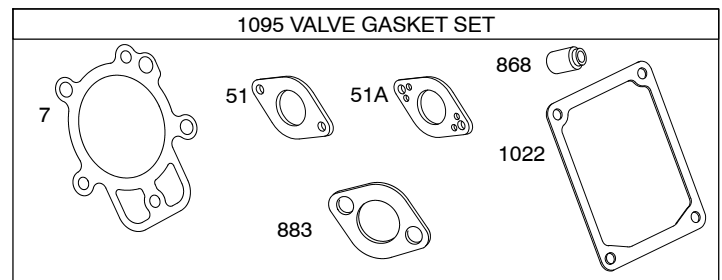
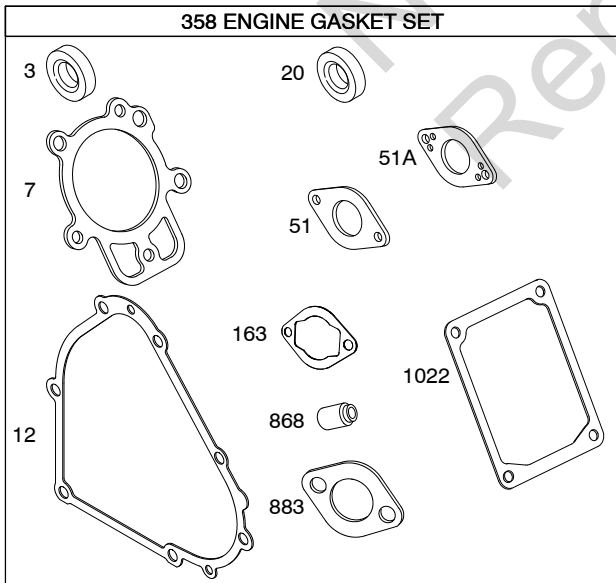
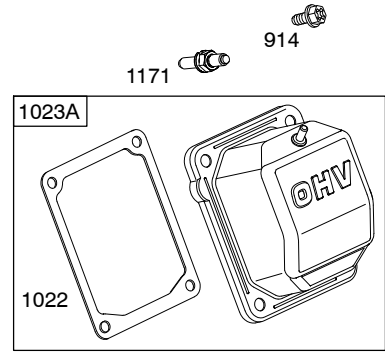
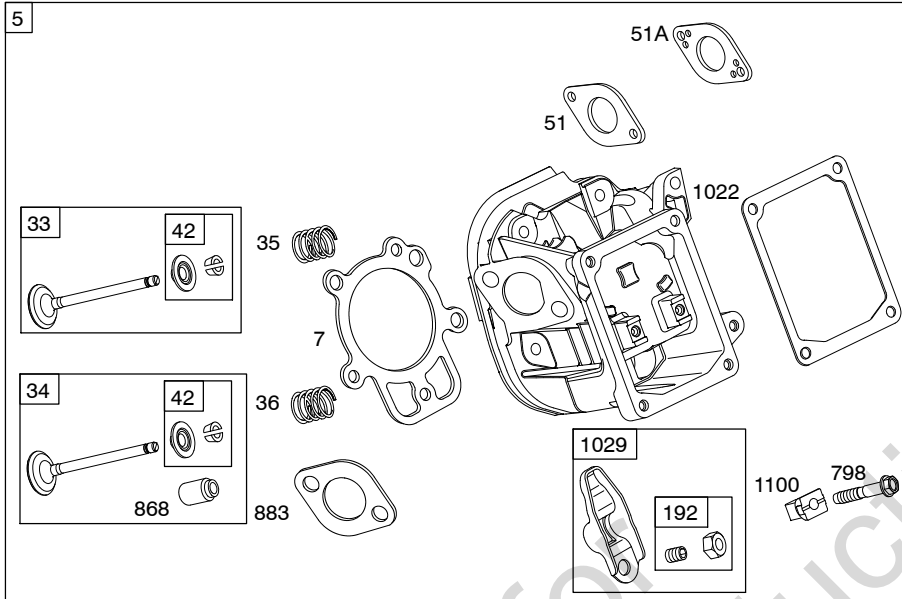
REQUIRED when replacing parts with warning labels affixed.



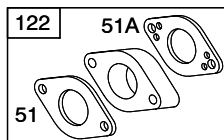
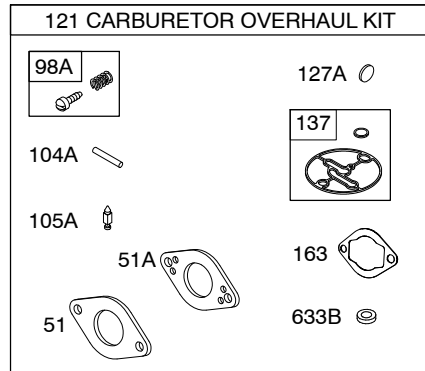
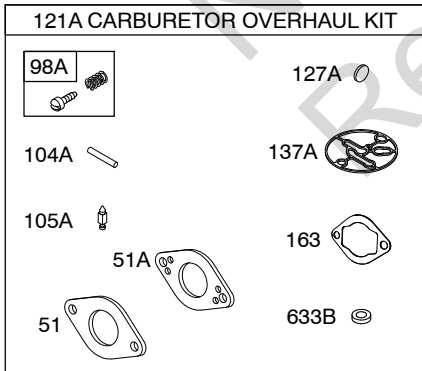
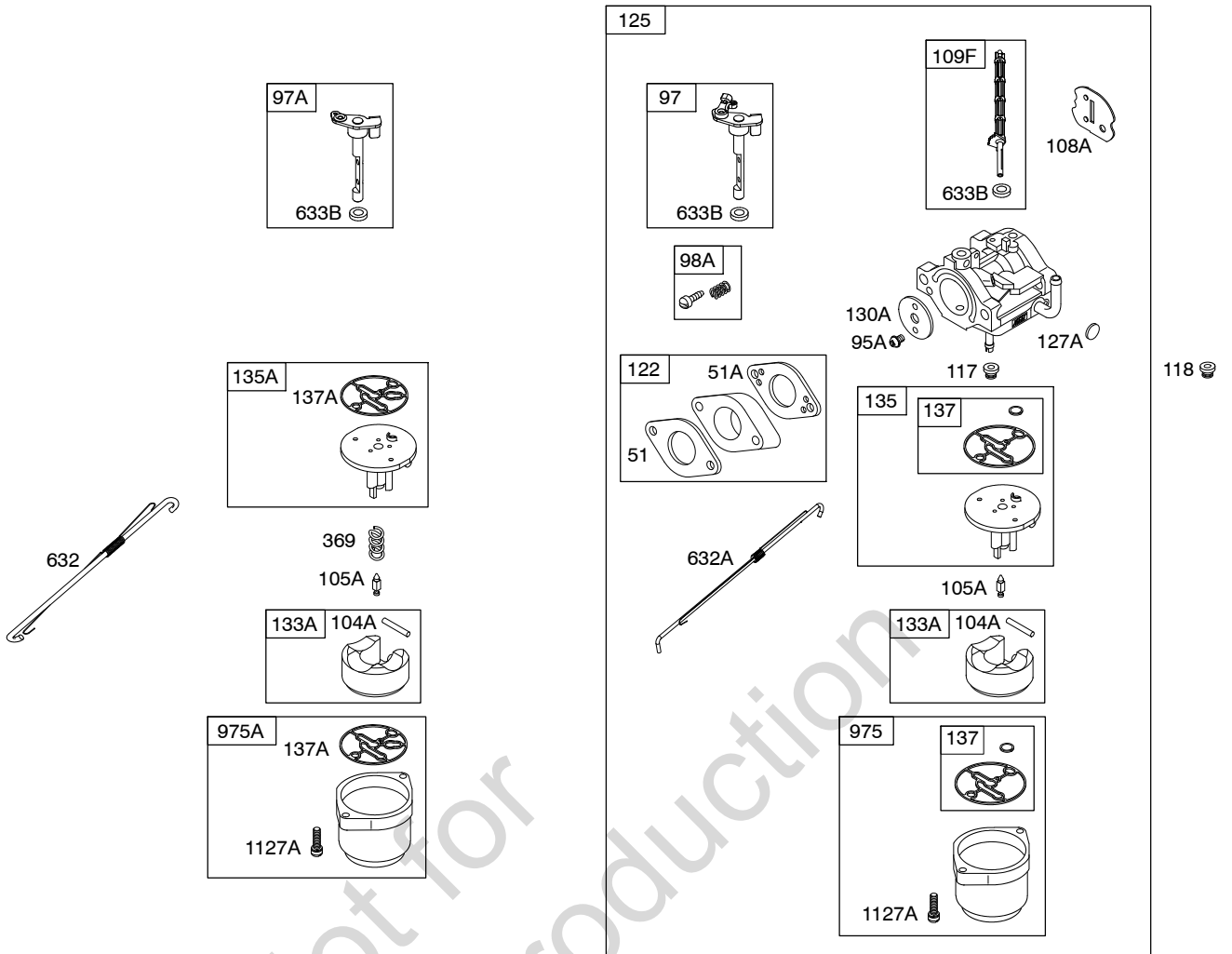
1036 EMISSIONS LABEL

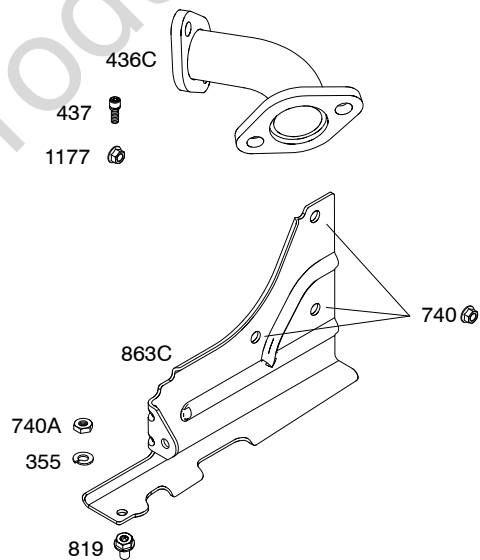
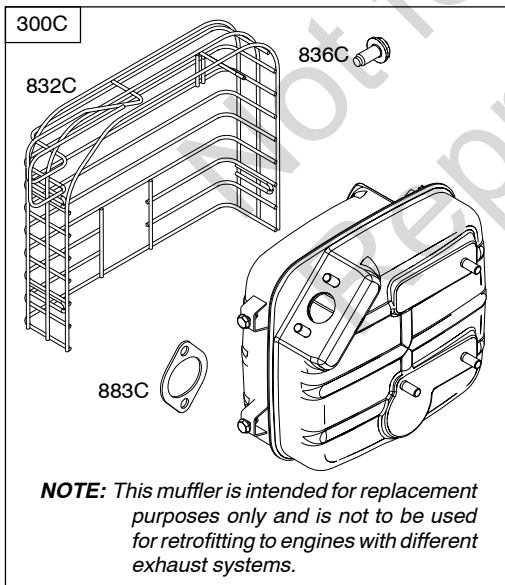
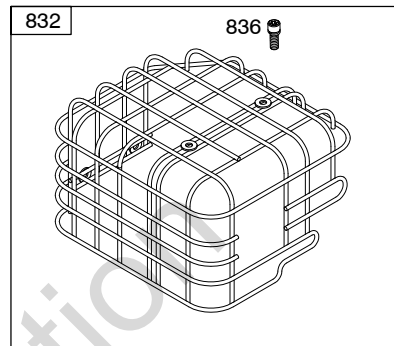
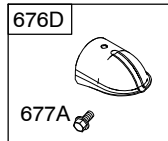
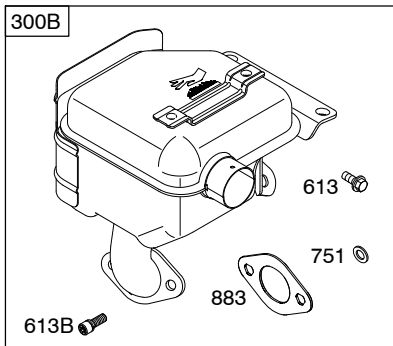
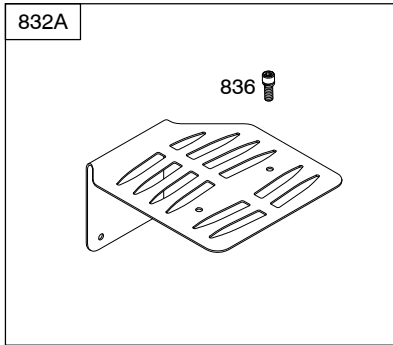


Illustrations cover a range of engines. Parts shown without corresponding text may not be used on your specific engine.
 4016-2 Assemblies include all parts shown in frames. 03/02/2012

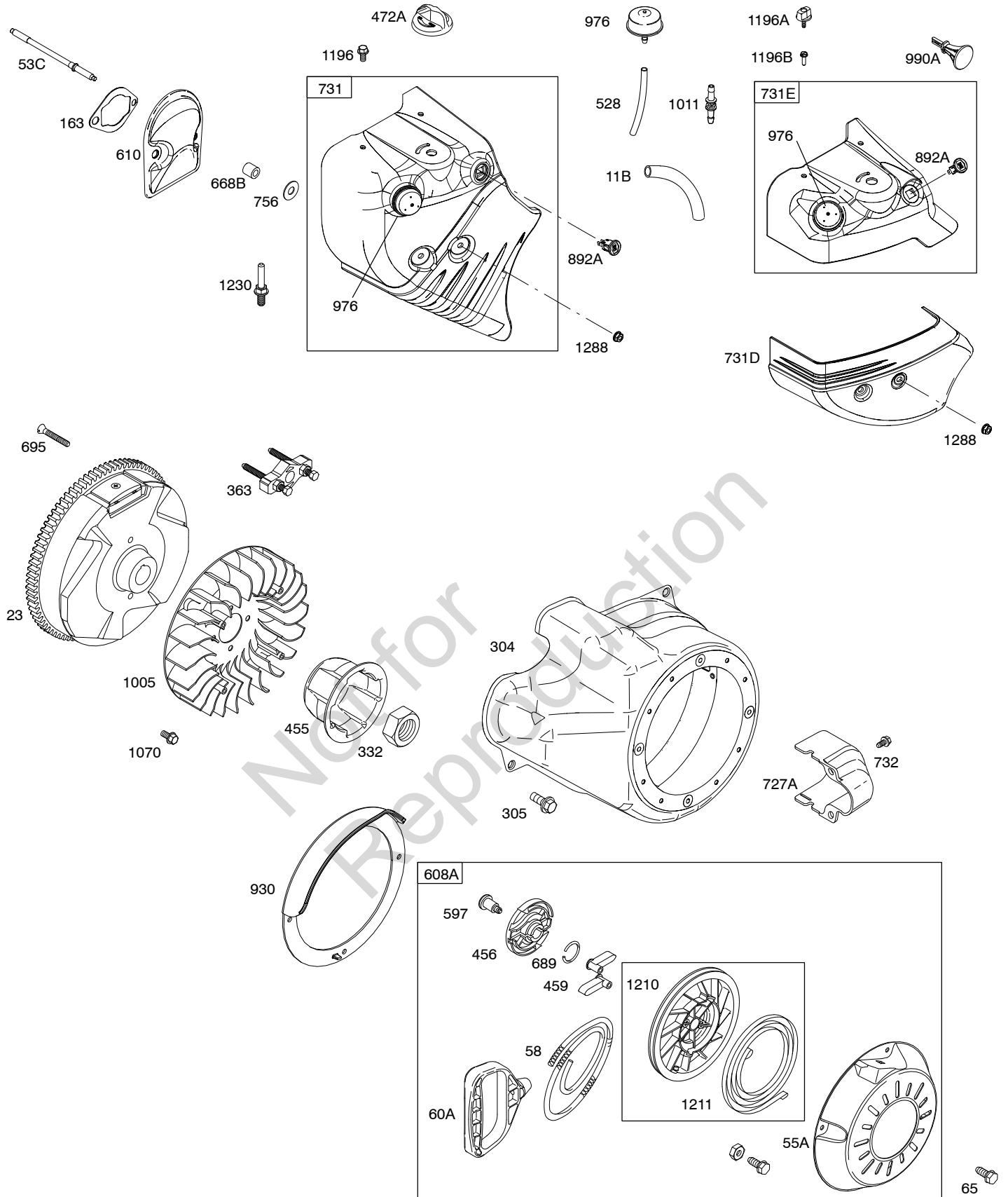


Illustrations cover a range of engines. Parts shown without corresponding text may not be used on your specific engine.
 4016-3 Assemblies include all parts shown in frames. 03/02/2012

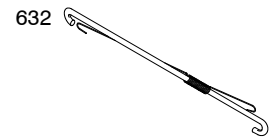
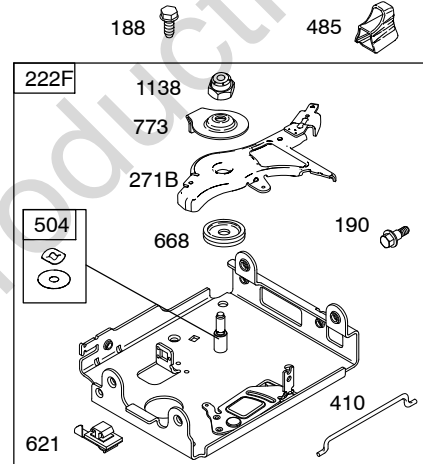
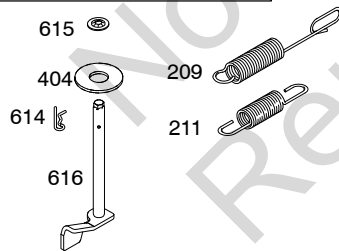
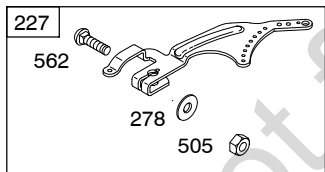
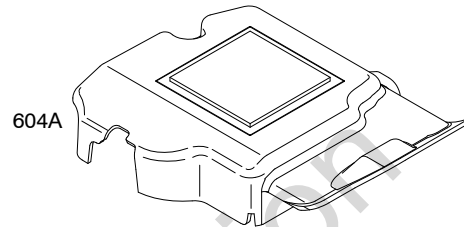
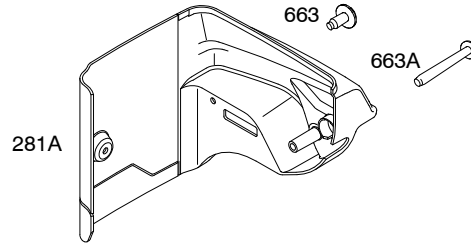
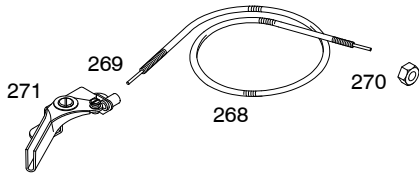
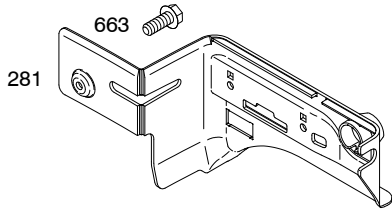




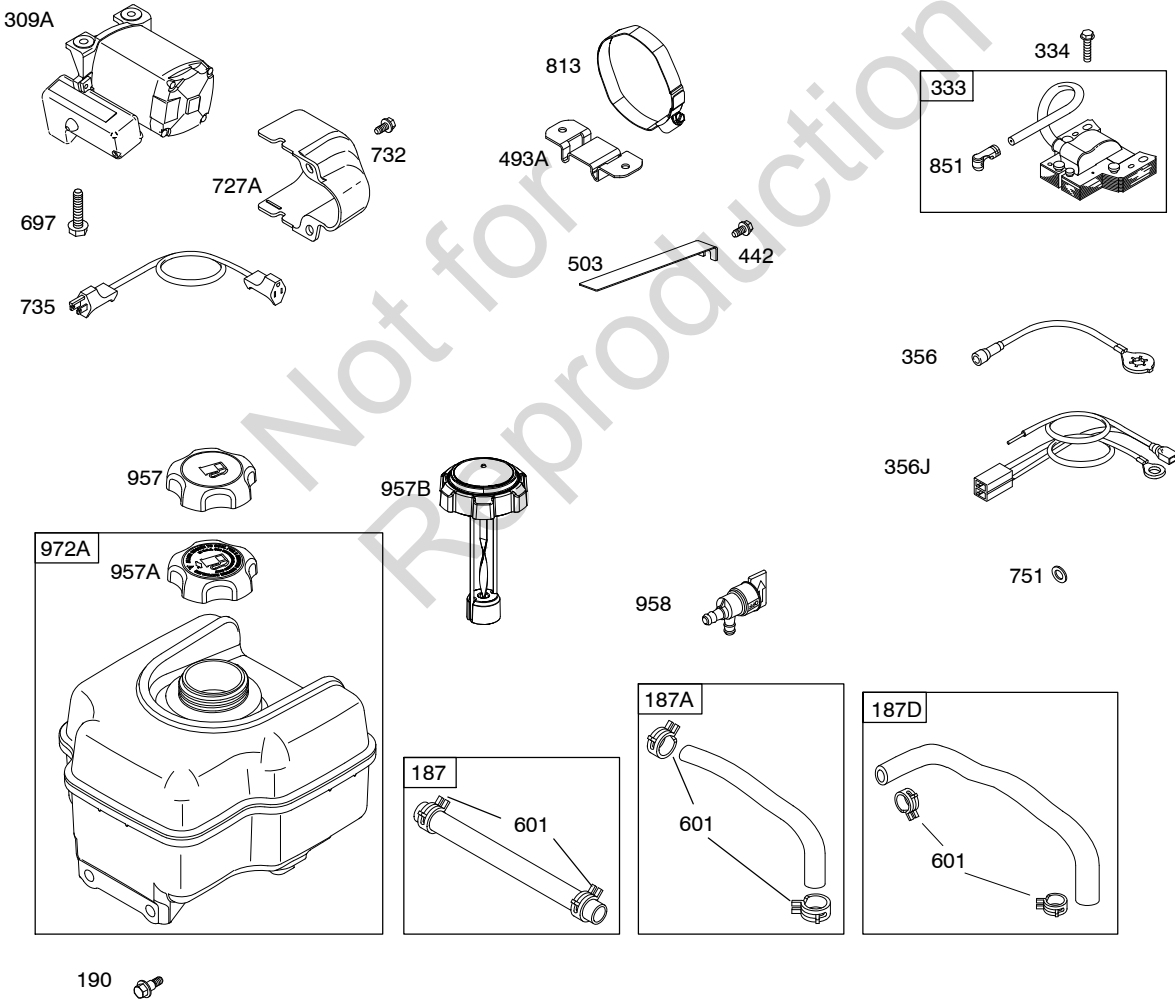
21M200



Illustrations cover a range of engines. Parts shown without corresponding text may not be used on your specific engine.
 4016-6 Assemblies include all parts shown in frames. 03/02/2012



DUAL CIRCUIT	DUAL CIRCUIT	DC ONLY	DUAL CIRCUIT
474B	474C	474F	474H
NOTE: The proper flywheel part number and/or the alternator magnet size will determine the alternator type or output. See repair instruction manual for additional information.			
1119	526 501	878	578A



Illustrations cover a range of engines. Parts shown without corresponding text may not be used on your specific engine.
 4016-8 Assemblies include all parts shown in frames. 03/02/2012

21M200

REF. NO.	PART NO.	DESCRIPTION	REF. NO.	PART NO.	DESCRIPTION	REF. NO.	PART NO.	DESCRIPTION
1	794850	Cylinder Assembly	33	697576	Valve-Exhaust	122	796315	Spacer-Carburetor
2	698340	Kit-Bushing/Seal (Magneto Side)	34	795199	Valve-Intake			(Used After Code Date 08061700).
3	391086S	Seal-Oil (Magneto Side)	35	694865	Spring-Valve (Intake)			----- Note -----
5	799860	Head-Cylinder	36	694865	Spring-Valve (Exhaust)			694876 Spacer- Carburetor
7	697690	Gasket-Cylinder Head	42	499586	Keeper-Valve			(Used Before Code Date 08061800).
11B	696750	Tube-Breather	45	690977	Tappet-Valve			
12	694953	Gasket-Crankcase	46	795697	Camshaft	125	796122	Carburetor
13	794829	Screw (Cylinder Head)	51	694874	Gasket-Intake	127A	690727	Plug-Welch
15	691686	Plug-Oil Drain	51A	694875	Gasket-Intake	130A	696139	Valve-Throttle
16	794720	Crankshaft	53C	795017	Stud (Carburetor)	133A	694914	Float-Carburetor
18	791965	Cover-Crankcase	55A	696710	Housing-Rewind Starter	135	698780	Tube-Fuel Transfer (Used After Code Date 08061700).
19	698340	Kit-Bushing/Seal (PTO Side)	58	693389	Rope-Starter (Cut To Required Length)	135A	696142	Tube-Fuel Transfer (Used Before Code Date 08061800).
20	391086S	Seal-Oil (PTO Side)	60A	699334	Grip-Starter Rope	137	698781	Gasket-Float Bowl (Used After Code Date 08061700).
21	799857	Cap-Oil Fill	65	699851	Screw (Rewind Starter)	137A	695426	Gasket-Float Bowl (Used Before Code Date 08061800).
22	794825	Screw (Crankcase Cover/Sump)	95A	690718	Screw (Throttle Valve)	146	690979	Key-Timing
23	794812	Flywheel	97	796334	Shaft-Throttle	163	692277	Gasket-Air Cleaner
24	222698S	Key-Flywheel	97A	696387	Shaft-Throttle	170	794833	Stud (Crankcase Cover/Sump)
25	793318	Piston Assembly (Standard) (Used After Code Date 08032300).	98A	695408	Kit-Idle Speed	187	791766	Line-Fuel (15 Inches Long) (Cut To Required Length)
		----- Note -----	104A	694918	Pin-Float Hinge	187A	791869	Line-Fuel
		793794 Piston Assembly (Standard) (Used Before Code Date 08032400).	105A	696136	Valve-Float Needle	187D	791879	Line-Fuel
		793325 Piston Assembly (.020" Oversize) (Used After Code Date 08032300).	108A	696143	Valve-Choke	188	699479	Screw (Control Bracket)
		793797 Piston Assembly (.020" Oversize) (Used Before Code Date 08032400).	109F	793162	Shaft-Choke	190	699220	Screw (Fuel Tank)
			117	796080	Jet-Main (Standard) (Used After Code Date 08061700).	192	690083	Adjuster-Rocker Arm
					----- Note -----	209	694867	Spring-Governor
					696134 Jet-Main (Standard) (Used Before Code Date 08061800).	211	695307	Spring-Governed Idle
			118	796128	Jet-Main (High Altitude) (Used After Code Date 08061700).	219	693578	Gear-Governor
					----- Note -----	220	691724	Washer (Governor Gear)
					696135 Jet-Main (High Altitude) (Used Before Code Date 08061800).	222F	794800	Bracket-Control
26	793319	Ring Set (Standard) ----- Note ----- 793324 Ring Set (.020" Oversize)	121	796137	Kit-Carburetor Overhaul (Used After Code Date 08061700).	227	694864	Lever-Governor Control
27	690975	Lock-Piston Pin	121A	696146	Kit-Carburetor Overhaul (Used Before Code Date 08061800).	268	691025	Casing-Control Wire (Cut To Required Length)
28	696581	Pin-Piston				269	691026	Wire-Control (Cut To Required Length)
29	694691	Rod-Connecting				270	691027	Nut (Control Wire Casing)
30	694692	Dipper-Connecting Rod						
32	690976	Screw (Connecting Rod)						

Illustrations cover a range of engines. Parts shown without corresponding text may not be used on your specific engine.

21M200

REF. NO.	PART NO.	DESCRIPTION	REF. NO.	PART NO.	DESCRIPTION	REF. NO.	PART NO.	DESCRIPTION
271	691028	Lever-Control	333	492341	Armature-Magneto	485	695755	Knob-Control
271B	698035	Lever-Control	334	699477	Screw (Magneto Armature)	493A	691177	Bracket-Mounting
278	798196	Washer (Governor Control Lever) (Used After Code Date 09101800).	337	491055S	Plug-Spark ----- Note ----- 691043 Plug-Spark Used on Type No(s). 0111, 0112, 0113, 0114, 0115, 0116, 0117, 0119, 0129, 0131, 0132, 0134, 0135, 0137, 0139, 0351, 0920, 1359.	501	698315	Regulator
		----- Note ----- 792008 Washer (Governor Control Lever) (Used Before Code Date 09101900).	355	794842	Washer (Muffler Bracket)	503	691532	Strap-Starter
281	697268	Panel-Control Used on Type No(s). 0112, 0113, 0114, 0115, 0116, 0117, 0119, 0132, 0134, 0135, 0137, 0139, 0920, 1359.	356	695630	Wire-Stop	504	695383	Washer Set-Friction
			356J	793206	Wire-Stop	505	793515	Nut (Governor Control Lever) (Used After Code Date 09101800).
281A	697400	Panel-Control Used on Type No(s). 0110, 0111, 0129, 0131, 0530, 0553.	358	795201	Gasket Set-Engine			----- Note ----- 691251 Nut (Governor Control Lever) (Used Before Code Date 09101900).
		----- Note ----- 698081 Panel-Control Used on Type No(s). 0351, 0357.	363	19203	Puller-Flywheel	523	695344	Dipstick
287	699234	Screw (Dipstick Tube)	369	695422	Spring-Float Bowl (Used Before Code Date 08061800).	524	691876	Seal-Dipstick Tube
300B	794948	Muffler	383	19576S	Wrench-Spark Plug	525	695343	Tube-Dipstick
300C	793701	Muffler (This muffler is intended for replacement purposes only and is not to be used for retrofitting to engines with different exhaust systems)	404	795759	Washer (Governor Crank)	526	690297	Screw (Regulator)
			410	695382	Link-Control	528	793006	Hose-Primer (Cut to Required Length)
304	795699	Housing-Blower	415	691363	Plug	529	791822	Grommet
305	699481	Screw (Blower Housing)	436C	792374	Manifold-Exhaust	552	694674	Bushing-Governor Crank
306	697240	Shield-Cylinder	437	794844	Screw (Exhaust Manifold)	562	798197	Bolt (Governor Control Lever) (Used After Code Date 09101800).
307	794822	Screw (Cylinder Shield)	442	790282	Screw (Starter Strap)			----- Note ----- 793216 Bolt (Governor Control Lever) (Used Before Code Date 09101900).
309A	795909	Motor-Starter ----- Note ----- 792157 Motor-Starter Used on Type No(s). 0113, 0115, 0119, 0129, 0131, 0134, 0135, 0351, 0920.	455	795011	Cup-Flywheel			578A 792576 Wire Assembly
			456	692299	Plate-Pawl Friction	597	691696	Screw (Pawl Friction Plate)
332	794824	Nut (Flywheel)	459	281505S	Pawl-Ratchet	601	791850	Clamp-Hose
			472A	791958	Knob-Choke Shaft	604A	696758	Cover-Control
			474B	793118	Alternator Used on Type No(s). 0920, 1359.	608A	699335	Starter-Rewind
			474C	698314	Alternator Used on Type No(s). 0110, 0111, 0114, 0116, 0117, 0119, 0129, 0131, 0134, 0135, 0139.	610	794541	Arrester-Intake
			474F	793640	Alternator Used on Type No(s). 0112, 0113, 0115, 0132, 0530, 0553.	613	794846	Screw (Muffler)
			474H	698230	Alternator Used on Type No(s). 0137, 0351, 0357.	613B	794844	Screw (Muffler)
						614	691620	Pin-Cotter (Governor Crank)

Illustrations cover a range of engines. Parts shown without corresponding text may not be used on your specific engine.

REF. NO.	PART NO.	DESCRIPTION	REF. NO.	PART NO.	DESCRIPTION	REF. NO.	PART NO.	DESCRIPTION
615	694676	Retainer-Governor Shaft (Governor Gear) (Used Before Code Date 08021500).	741	691288	Gear-Timing	975A	696138	Bowl-Float (Used Before Code Date 08061800).
616	795758	Crank-Governor	742	692564	Retainer-E Ring			
621	692310	Switch-Stop	746	694679	Gear-Idler	976	793382	Primer-Carburetor Used on Type No(s). 0112, 0113, 0114, 0115, 0116, 0117, 0119, 0132, 0134, 0135, 0137, 0139, 0920, 1359.
632	695917	Spring/Link-Mechanical Governor (Used Before Code Date 08061800).	751	794839	Washer (Stop Wire)			
632A	796324	Spring/Link-Mechanical Governor (Used After Code Date 08061700).	756	794839	Washer (Snow Hood)			
633B	690998	Seal-Choke/Throttle Shaft	773	694258	Retainer			
635	691909	Boot-Spark Plug (Alternator)	798	697890	Screw (Rocker Arm)			
663	699854	Screw (Control Panel)	813	690635	Clamp			
663A	795088	Screw (Control Panel)	819	794832	Screw (Muffler Bracket)			
668	694257	Spacer (Control Bracket)	832	796384	Guard Muffler			
668B	794539	Spacer (Snow Hood)	832A	797095	Guard Muffler Used on Type No(s). 0117, 0139, 1359.			
676D	794213	Deflector-Muffler	832C	792380	Guard-Muffler	990A	794696	Key Set
677A	699776	Screw (Muffler Deflector)	836	699234	Screw (Muffler Guard)	998A	696683	Pipe-Oil ----- Note ----- 792928 Pipe-Oil Used on Type No(s). 0530, 0553, 0920, 1359.
689	691855	Spring-Friction	836C	710023	Screw (Muffler Guard)			
695	698807	Screw (Ring Gear)	842	691031	Seal-O Ring (Dipstick Tube)			
697	795012	Screw (Drive Cap)	847	695342	Dipstick/Tube Assembly	1005	794815	Fan-Flywheel
718	690959	Pin-Locating (Cylinder)	851	692424	Terminal-Spark Plug	1011	794544	Tube-Vent
718A	695178	Pin-Locating (Head)	863C	793700	Bracket-Muffler	1022	690971	Gasket-Rocker Cover
725	696756	Shield-Heat	868	794086	Seal-Valve	1023A	698042	Cover-Rocker
727A	697465	Cover-Starter Drive	878	398661	Wire/Connector-Alternator	1026	799862	Rod-Push (Used After Code Date 11032800). ----- Note ----- 695177 Rod-Push (Used Before Code Date 11032900).
731	794591	Hood-Snow Used on Type No(s). 0110, 0111, 0129, 0131, 0351, 0357, 0530, 0553.	883	695398	Gasket-Exhaust			
731D	794550	Hood-Snow	883C	710250	Gasket-Exhaust	1029	690972	Arm-Rocker
731E	793174	Hood-Snow	892A	791944	Switch-Key	1036		Label-Emissions (Available From A Briggs & Stratton Authorized Dealer)
732	699200	Screw (Starter Drive Cover)	914	794827	Screw (Rocker Cover)	1058	277104	Operator's Manual
735	795901	Cord-Starter	930	696709	Guard-Rewind	1070	794821	Screw (Flywheel Fan)
740	710090	Nut (Muffler Bracket)	957	795027	Cap-Fuel Tank (Plastic)	1095	795200	Gasket Set-Valve
740A	794843	Nut (Muffler Bracket)	957A	792647	Cap-Fuel Tank (Plastic) (Fresh Start)	1100	791959	Pivot-Rocker Arm
			957B	698109	Cap-Fuel Tank Used on Type No(s). 0129, 0134, 0137, 0351, 0357, 0530, 1359.	1119	699772	Screw (Alternator)
			958	698180	Valve-Fuel Shut Off (Plastic)	1127A	695407	Screw (Float Bowl)
			972A	694260	Tank-Fuel (Plastic)	1138	694255	Nut (Control Bracket)
			975	698783	Bowl-Float (Used After Code Date 08061700).	1171	794828	Stud (Rocker Cover)

Illustrations cover a range of engines. Parts shown without corresponding text may not be used on your specific engine.

21M200

REF. NO.	PART NO.	DESCRIPTION	REF. NO.	PART NO.	DESCRIPTION	REF. NO.	PART NO.	DESCRIPTION
1177	710090	Nut (Muffler)	1210	498144	Pulley/Spring Assembly (Pulley)	1298	795016	Nut (Heat Shield)
1194	691876	Seal-O Ring (Plug)	1211	498144	Pulley/Spring Assembly (Spring)	1298A	794838	Nut (Heat Shield)
1196	699166	Screw (Snow Hood)	1230	699847	Stud (Control Bracket)	1319	794467	Label-Warning
1196A		Screw (Snow Hood) (No Longer Available) (Use Screw Reference 1196B)	1251	696762	Shield-Snow	1330	276781	Repair Manual
			1251A	790471	Shield-Snow	1351	794847	Stud (Cylinder Shield)
			1251B	698041	Shield-Snow	1424	698111	Nut (Snow Shield)
1196B	798785	Screw (Snow Hood)	1252	699481	Screw (Snow Shield)	1427	695757	Cape-Pipe

Not for
Reproduction

Illustrations cover a range of engines. Parts shown without corresponding text may not be used on your specific engine.

Not for
Reproduction

Not for
Reproduction

Not for
Reproduction

Not for
Reproduction

